

2x



2x

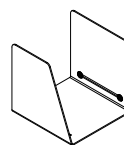


For installation, use expansion
plug suitable for wall construction.

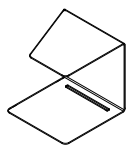
Not recommended for plaster
walls.

Max. load 3 kg

Variant I

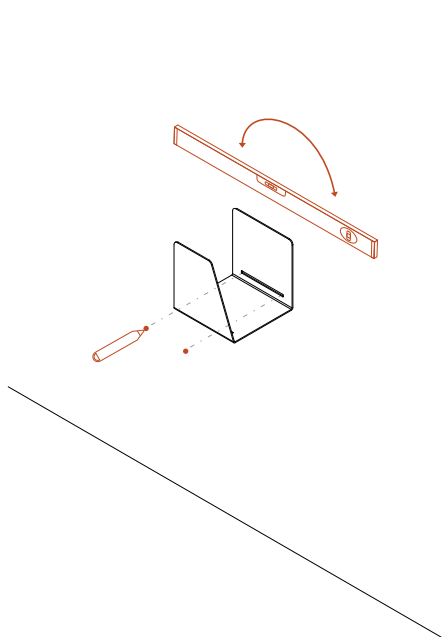


Variant II

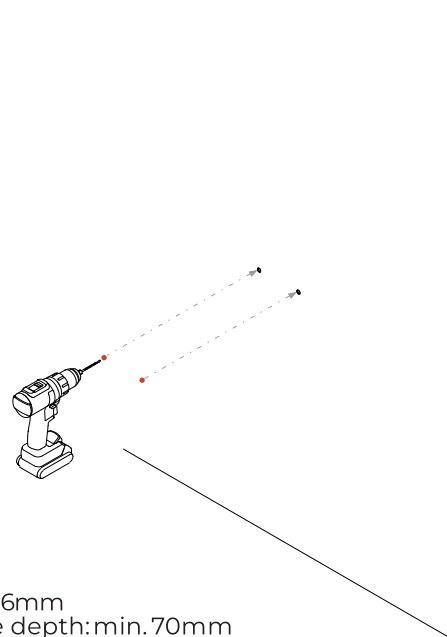


Variant I

1.

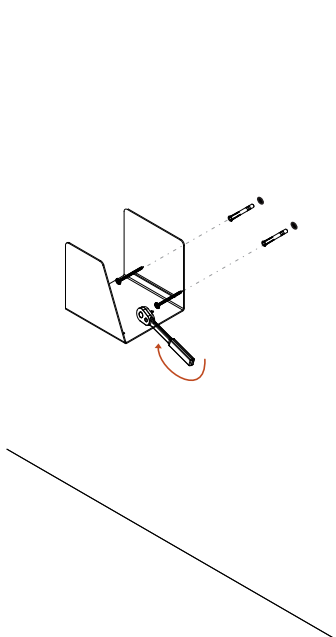


2.

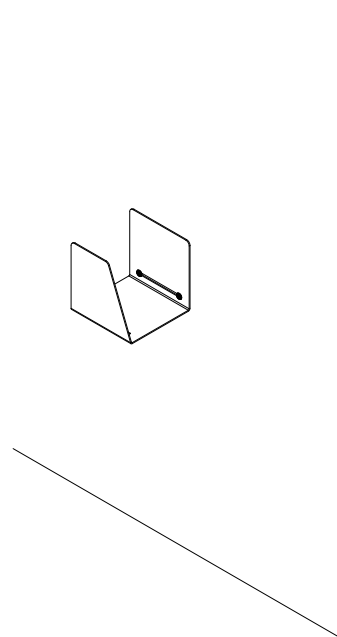


Drill: 6mm
Hole depth: min. 70mm

3.

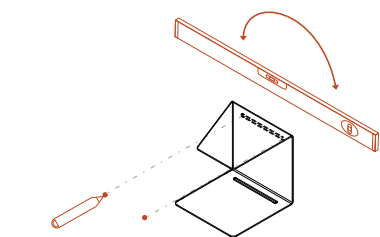


4.

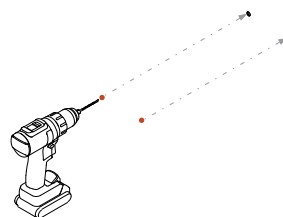


Variant II

1.

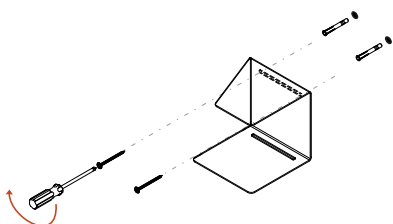


2.



Drill: 6mm
Hole depth: min. 70mm

3.



4.

