

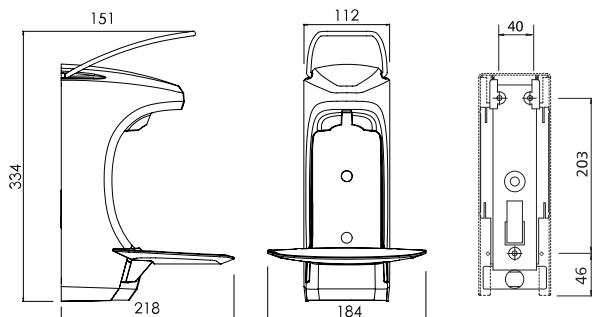
# RX 10 M (Locking) signal red drip tray

Plastic Euro dispenser for soaps, disinfectants and lotions  
Art.-No. 4402741



OPHARDT HYGIENE-TECHNIK GmbH + Co. KG  
Lindenau 27 | 47611 Issum | Germany  
Tel.: +49 (0) 28 35 18-10 | Fax +49 (0) 28 35 18-77  
planer@ophardt.com | www.ophardt.com

## RX 10 M



Maße in mm - Dimensions in mm



## References

hospitals, clinics, retirement/care homes, dental practices, fitness and sports centres, restaurants, commercial kitchen, industry, conference centres, laboratories, food processing areas, rehabilitation facilities, rescue stations, administration facilities, kindergardens, schools, shopping centres, train stations, hotels

## Usage examples

Passage area, entrance area, nursing and examination rooms, therapy rooms, kitchens, general wards

## Technical data

Dispenser type:	Euro bottle dispenser
Housing:	Plastic, white
Filling volume (ml):	1000 ml
Dosing pump:	long-life plastic pump with straight suction tube
Dosage quantity:	0.8 / 1.1 / 1.5 ml/stroke
Filling good:	Disinfectant, Liquid soaps
Operating type:	Short operating stainless steel lever
Power type:	No
with drip tray:	Yes
Lock:	Plastic
Wall bracket:	Standard ingo-man® plastic wall plate
Mounting:	Wall mounting with 3 screws and wall plugs
Cleaning:	manual wipe disinfection
Warranty:	1 year
Net weight:	0.73 kg
Dimensions (W x H x D) in mm:	184x334x218
Notice:	Before using new products, please always check the compatibility of the product and the dispensing system to ensure proper functionality.

## Compatible accessories

Hygiene Station E ST	Art.-No. 1420177
Hygiene stand for effective hand disinfection disinfection point	Art.-No. 3400177
Hygiene stand for effective hand disinfection	

Please see other accessories in our Online Product Catalogue.