

# IMP T P DHP Touchless hi-vis yellow

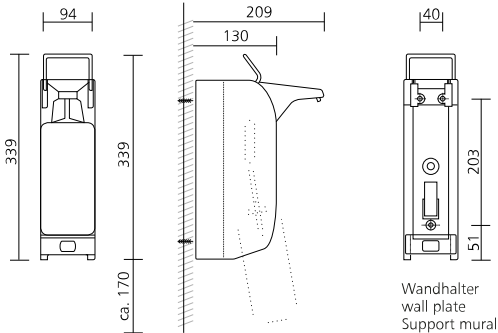
Touchless Euro dispenser with pump front removal for soaps and disinfectants

Art.-No. 4402169



OPHARDT HYGIENE-TECHNIK GmbH + Co. KG  
Lindenau 27 | 47611 Issum | Germany  
Tel.: +49 (0) 28 35 18-10 | Fax +49 (0) 28 35 18-77  
planer@ophardt.com | www.ophardt.com

## IMP Touchless



Maße in mm - Dimensions in mm



## References

hospitals, clinics, retirement/care homes, dental practices, fitness and sports centres, restaurants, commercial kitchen, industry, conference centres, laboratories, food processing areas, rehabilitation facilities, rescue stations, administration facilities

## Usage examples

Passage area, entrance area, Intensive care units, dialysis stations, surgery areas, nursing and examination rooms, clean room, therapy rooms

## Technical data

Dispenser type:	Euro bottle dispenser
Housing:	Aluminium, hi-vis yellow powder-coated (RAL 1026)
Face shield:	Plastic, white
Filling volume (ml):	1000 ml
Dosing pump:	recyclable DHP disposable plastic pump
Dosage quantity:	1.5 ml/stroke
Filling good:	Disinfectant, Liquid soaps
Operating type:	Touchless, Touchless, with permanent emergency lever
Power type:	Battery
Batteries:	5x Alkaline D batteries, 1.5 V, exchangeable, non-rechargeable
Recommended Batteries:	DURACELL ULTRA POWER D, VARTA 4020 (INDUSTRIAL), VARTA 4120, VARTA 4720
Wall bracket:	Standard ingo-man® plastic wall plate
Mounting:	Wall mounting with 3 screws and wall plugs
Cleaning:	manual wipe disinfection
Warranty:	5 years
Dimensions (W x H x D) in mm:	94x339x209
Hinweis:	Before using new products, please always check the compatibility of the product and the dispensing system to ensure proper functionality.

## Compatible accessories

SH 4 IMP Touchless Prevents disinfectant from dripping off hands and onto the floor	Art.-No. 1416600
SH 5 IMP Touchless Prevents disinfectant from dripping off hands and onto the floor	Art.-No. 1418684

Please see other accessories in our Online Product Catalogue.