

SKU Code: 791N
Family Products: HEATING
Sub-Family: IR-A TYPE SHORT WAVE HEATING / Glowing Radiant
LINE OF PRODUCTS: HATHOR
DESCRIPTION: IR HEATER HATHOR 1X2000W

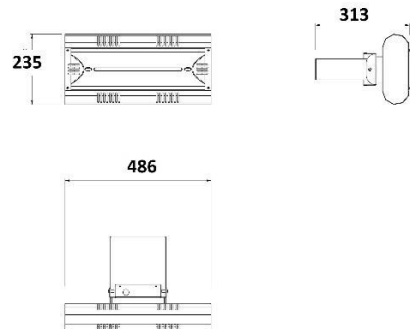
Single Unit	SKU Size (mm):	235x486x313
	SKU Weight (Kg):	2,1
MasterBox	SKU carton dim. (cm)	54x31x20
	SKU carton Qty.:	1
	SKU carton vol.(m3):	0,0335
Pallet	Units x MasterBox:	1
	MasterBox dimensions (cm):	20,6x48,6x38,3
	MasterBox (m3):	0,0383
	MasterBox weight (kg):	3
40-ft	MasterBoxes x Pallet:	80
	Pallet load total qty. Units:	80
	Pallet dimensions (cm):	80x120x214
	Pallet volume (m3):	2,0544
20-ft	Pallet Weight (kg):	260
	40-ft qty. Units:	1684
20-ft	40-ft qty. Master boxes:	1684
	20-ft qty. Units:	804
20-ft	20-ft qty. Master boxes:	804



Rated Voltage: 220/240V – 50/60Hz
Power: 2000W
Color: Aluminium
Materials (Structure Materials): Aluminum
Standard equipment supplied: Wall Bracket
Range of action: 9-12m

Lamp / Heating Element life: 5000 h
Radiating Element Material: Gold coated quartz w/Tungsten Filament
Cable [type]: H05RN-F 3x1mm²
Water Protection - IP RATE: IP55
Insulation class: I
Standards & Certificates: IMQ / CE - CB dated 21/10/2020 @ 220-240V/50-60Hz

Heating Element: Infra-Red Lamp
Luminous spectrum: IR-A (for an instant and effective wellness)
IR Lamp: 2000W Gold coated quartz w/Tungsten Filament
Made and Delivered: Italy
HTS Customs Code: 8516299900
EAN Code: 8010114791024



EXW / Ex Works
European Facilities/Warehouse
MINIMUM ORDER QUANTITY: To Be Defined

