

4-6x 4-6x

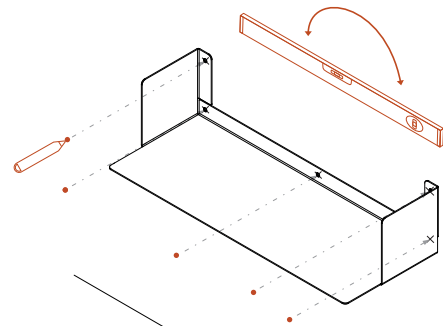


For installation, use expansion plug suitable for wall construction.

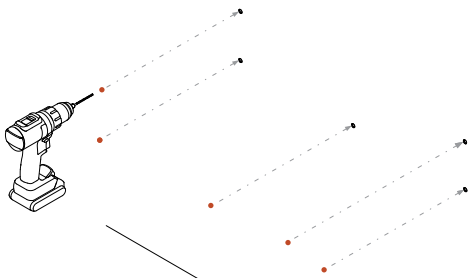
Not recommended for plaster walls.

Max. load 25kg

1.



2.



Drill:  $\varnothing$  6mm  
Hole depth: min. 70mm

3.

