

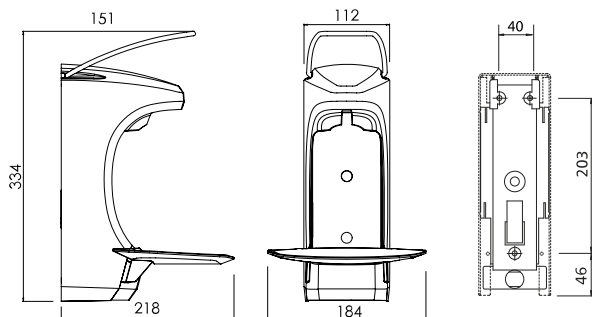
# RX 10 M (Non-Locking) signal red drip tray

Plastic Euro dispenser for soaps, disinfectants and lotions  
Art.-No. 4402736



OPHARDT HYGIENE-TECHNIK GmbH + Co. KG  
Lindenau 27 | 47611 Issum | Germany  
Tel.: +49 (0) 28 35 18-10 | Fax +49 (0) 28 35 18-77  
planer@ophardt.com | www.ophardt.com

## RX 10 M



Maße in mm - Dimensions in mm



## References

hospitals, clinics, retirement/care homes, dental practices, fitness and sports centres, restaurants, commercial kitchen, industry, conference centres, laboratories, food processing areas, rehabilitation facilities, rescue stations, administration facilities, kindergardens, schools, shopping centres, train stations, hotels

## Usage examples

Passage area, entrance area, nursing and examination rooms, therapy rooms, kitchens, general wards

## Technical data

|                               |   |
|-------------------------------|---|
| Dispenser type:               | Euro bottle dispenser   |
| Housing:                      | Plastic, white  |
| Filling volume (ml):          | 1000 ml   |
| Dosing pump:                  | long-life plastic pump with straight suction tube   |
| Dosage quantity:              | 0.8 / 1.1 / 1.5 ml/stroke   |
| Filling good:                 | Disinfectant, Liquid soaps  |
| Operating type:               | Short operating stainless steel lever   |
| Power type:                   | No  |
| with drip tray:               | Yes   |
| Lock:                         | Plastic   |
| Wall bracket:                 | Standard ingo-man® plastic wall plate   |
| Mounting:                     | Wall mounting with 3 screws and wall plugs  |
| Cleaning:                     | manual wipe disinfection  |
| Warranty:                     | 1 year  |
| Net weight:                   | 0.73 kg   |
| Dimensions (W x H x D) in mm: | 184x334x218   |
| Notice:                       | Before using new products, please always check the compatibility of the product and the dispensing system to ensure proper functionality. |

## Compatible accessories

|   |                  |
|---|------------------|
| Hygiene Station E ST  | Art.-No. 1420177 |
| Hygiene stand for effective hand disinfection<br>disinfection point | Art.-No. 3400177 |
| Hygiene stand for effective hand disinfection                       |                  |

Please see other accessories in our Online Product Catalogue.