

# NWB 70 E

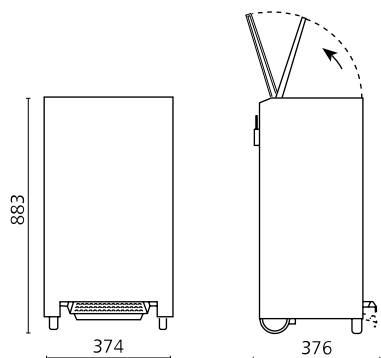
Robust and foot-operated waste bin

Art.-No. 1416589

 **OPHARDT**  
HYGIENE

**OPHARDT HYGIENE-TECHNIK GmbH + Co. KG**  
Lindenau 27 | 47611 Issum | Germany  
Tel.: +49 (0) 28 35 18-10 | Fax +49 (0) 28 35 18-77  
planer@ophardt.com | www.ophardt.com

## NWB 70



Maße in mm - Dimensions in mm



## References

hospitals, clinics, retirement/care homes, dental practices, fitness and sports centres, restaurants, commercial kitchen, industry, conference centres, laboratories, food processing areas, rehabilitation facilities, rescue stations, administration facilities

## Usage examples

Passage area, Intensive care units, dialysis stations, surgery areas, nursing and examination rooms, clean room, therapy rooms

## Technical data

Waste bin type:	enclosed waste bin
Housing:	Stainless steel, brushed
Filling volume (liter):	70 liter
Cleaning:	manual wipe disinfection
Warranty:	5 years
Dimensions (W x H x D) in mm:	374x883x376