

IMP T/TLS 30 pump for grit

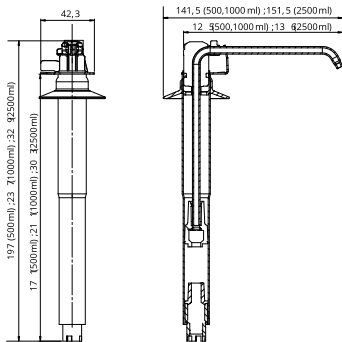
Premium long life pump made of stainless steel

Art.-No. 4403463

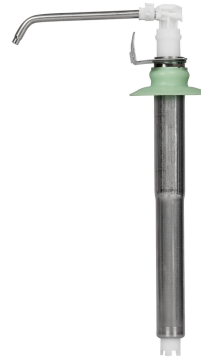


OPHARDT HYGIENE-TECHNIK GmbH + Co. KG
Lindenau 27 | 47611 Issum | Germany
Tel.: +49 (0) 28 35 18-10 | Fax +49 (0) 28 35 18-77
planer@ophardt.com | www.ophardt.com

IMP 30 Pumpe für Reibemittel (500/ 1000/ 2500 ml)



Maße in mm - Dimensions in mm



References

hospitals, clinics, retirement/care homes, dental practices, commercial kitchen, food processing areas, laboratories, rescue stations, administration facilities

Usage examples

Passage area, entrance area, Intensive care units, dialysis stations, surgery areas, nursing and examination rooms, clean room, therapy rooms

Technical data

Filling volume (ml):	1000 ml
Dosing pump:	long-life stainless steel pump with straight suction tube
Dosage quantity:	1.5 / 2.0 / 2.5 / 3.0 ml/stroke
Filling good:	Grit, High Viscosity Products
Cleaning:	dishwashersafe (60° C), autoclavable up to 134° C, 2 bar
Warranty:	5 years
Net weight:	0.178 kg
Dimensions (W x H x D) in mm:	52x237x142
Notice:	Before using new products, please always check the compatibility of the product and the dispensing system to ensure proper functionality.