

NMU 1000 E ST

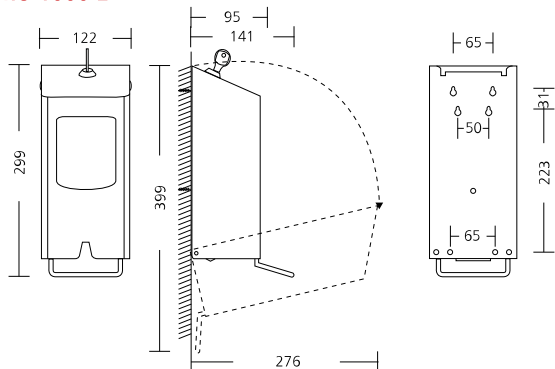
Stainless steel cartridge dispenser for hand hygiene

Art.-No. 3401061



OPHARDT HYGIENE-TECHNIK GmbH + Co. KG
Lindenau 27 | 47611 Issum | Germany
Tel.: +49 (0) 28 35 18-10 | Fax +49 (0) 28 35 18-77
planer@ophardt.com | www.ophardt.com

NMU 1000 E



Maße in mm - Dimensions in mm



References

retirement/care homes, dental practices, clinics, hospitals, laboratories, commercial kitchen, food processing areas, industry, restaurants, hotels, airports, schools, fitness and sports centres, shopping centres

Usage examples

washrooms, nursing and examination rooms, general wards, kitchens, production facilities, entrance area, Passage area

Technical data

Dispenser type:	Cartridge dispenser
Housing:	Stainless steel, brushed with Anti-Fingerprint-Coating (Steel Touch)
Filling volume (ml):	1000 ml
Filling good:	Foam soap, Grit, Disinfectant, Liquid soaps
Operating type:	Stainless steel lever
with/without viewing window:	Clear
Lock:	Stainless steel
Mounting:	Wall mounting with 3 screws and wall plugs
Cleaning:	manual wipe disinfection
Warranty:	1 year
Dimensions (W x H x D) in mm:	122x299x141
Notice:	Before using new products, please always check the compatibility of the product and the dispensing system to ensure proper functionality.

Compatible accessories

disinfection point SanTRAL	Art.-No. 1423337
High-quality hygiene stand for effective hand disinfection	
disinfection point with wheels SanTRAL	Art.-No. 1423338
High-quality hygiene stand with rolls for effective hand disinfection	

Please see other accessories in our Online Product Catalogue.