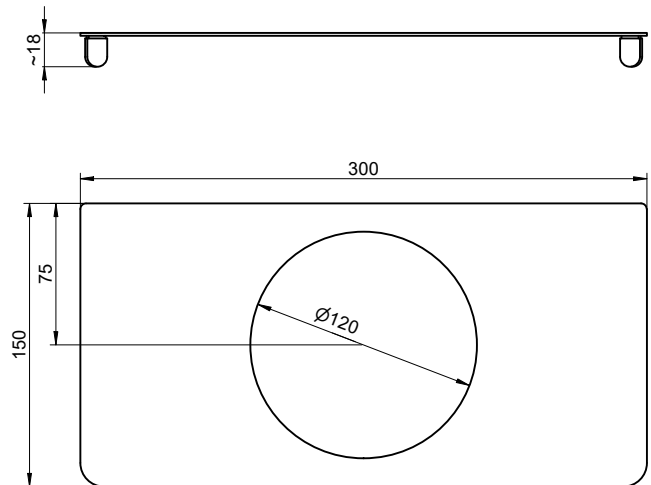
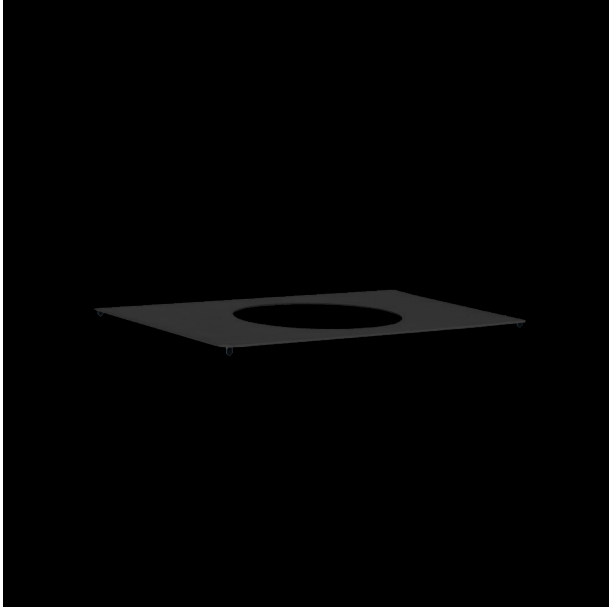


Lid DP-231



Lid for waste bin PU-230, black

Lid for waste bin PU-230. Stainless steel, black powder coated in RAL 9005 jet black with fine structure.