

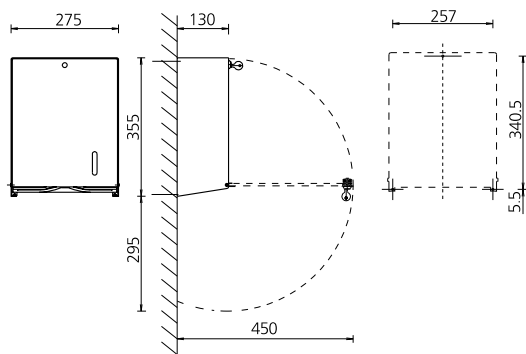
IMP HS 31 EE

Hygienic paper towel dispenser out of metal
Art.-No. 1420227



OPHARDT HYGIENE-TECHNIK GmbH + Co. KG
Lindenau 27 | 47611 Issum | Germany
Tel.: +49 (0) 28 35 18-10 | Fax +49 (0) 28 35 18-77
planer@ophardt.com | www.ophardt.com

IMP HS 31



Maße in mm - Dimensions in mm



References

hospitals, clinics, retirement/care homes, dental practices, restaurants, commercial kitchen, industry, conference centres, laboratories, food processing areas, rehabilitation facilities, rescue stations, administration facilities

Usage examples

Passage area, entrance area, Intensive care units, dialysis stations, surgery areas, nursing and examination rooms, clean room, therapy rooms

Technical data

Housing:	Stainless steel, brushed
Filling volume (sheet):	approx. 750 sheets
Paper type:	C-fold, Layerfold, ZZ-Fold, V-Fold, Zick-Zack
Mounting:	Wall mounting with 3 screws and wall plugs
Cleaning:	manual wipe disinfection
Warranty:	5 years
Net weight:	3.4 kg
Dimensions (W x H x D) in mm:	273x368x128
Notice:	Before using new products, please always check the compatibility of the product and the dispensing system to ensure proper functionality.