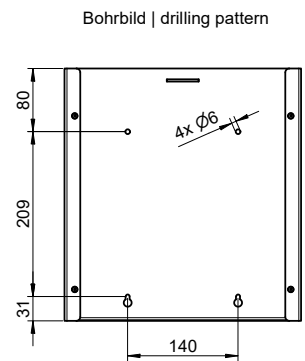
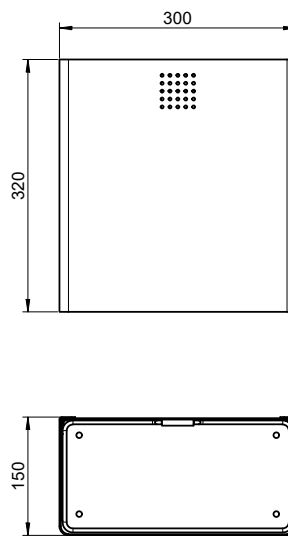


Waste bin PU-230



Waste bin, stainless steel, approx. 14 l, 300mm width

Waste bin for wall mounting. Stainless steel. Surface with fine brushed structure. Cover 1.5mm thickness. Perforated design area with 4mm drillings. Integrated bag holder. 14 litres capacity. Including stainless steel screws and plugs.

Assembly
Instruction

