

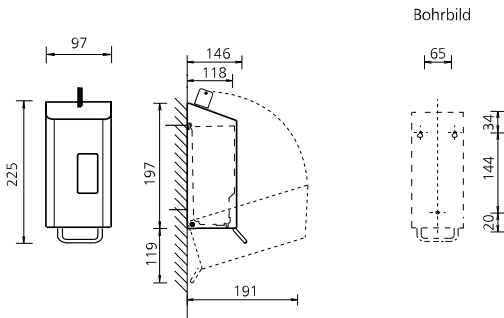
# NSU 2-2 P/S IW

Liquid soap dispenser with open refill system  
Art.-No. 1423250



OPHARDT HYGIENE-TECHNIK GmbH + Co. KG  
Lindenau 27 | 47611 Issum | Germany  
Tel.: +49 (0) 28 35 18-10 | Fax +49 (0) 28 35 18-77  
planer@ophardt.com | www.ophardt.com

## NSU 2-2 S-D-F



Maße in mm - Dimensions in mm



## References

airports, train stations, schools, kindergartens, hotels, restaurants, commercial kitchen, food processing areas, prisons, exhibitions, conference centres, shopping centres, fitness and sports centres, industry, laboratories, administration facilities

## Usage examples

washrooms, baths, nursing and examination rooms, kitchens, production facilities, entrance area

## Technical data

Dispenser type:	refillable dispenser
Housing:	Stainless steel, white powder-coated (RAL 9010)
Filling volume (ml):	250 ml
Dosing pump:	long-life plastic soap pump
Dosage quantity:	1.5 ml/stroke
Filling good:	Liquid soaps, Disinfectant
Operating type:	Stainless steel lever
with/without viewing window:	Clear
Mounting:	Wall mounting with 4 screws and wall plugs
Cleaning:	manual wipe disinfection
Warranty:	5 years
Net weight:	1.127 kg
Dimensions (W x H x D) in mm:	97x225x146
Notice:	Before using new products, please always check the compatibility of the product and the dispensing system to ensure proper functionality.

## Compatible accessories

disinfection point SanTRAL	Art.-No. 1423337
High-quality hygiene stand for effective hand disinfection	
disinfection point with wheels SanTRAL	Art.-No. 1423338
High-quality hygiene stand with rolls for effective hand disinfection	

Please see other accessories in our Online Product Catalogue.