

SKU Code: 79304N
Family Products: HEATING
Sub-Family: IR-A TYPE SHORT WAVE HEATING / Glowing Radiant
LINE OF PRODUCTS: HATHOR
DESCRIPTION: IR HEATER HATHOR 3X2000W

Single Unit	SKU Size (mm):	515x486x313
	SKU Weight (Kg):	3,9
	SKU carton dim. (cm)	59x55x20
	SKU carton Qty.:	1
MasterBox	SKU carton vol.(m3):	0,0649
	Units x MasterBox:	1
	MasterBox dimensions (cm):	59x55x20
Pallet	MasterBox (m3):	0,0649
	MasterBox weight (kg):	5,4
	MasterBoxes x Pallet:	20
	Pallet load total qty. Units:	20
	Pallet dimensions (cm):	80x120x214
40-ft	Pallet volume (m3):	2,0544
	Pallet Weight (kg):	128
	40-ft qty. Units:	960
20-ft	40-ft qty. Master boxes:	960
	20-ft qty. Units:	464
	20-ft qty. Master boxes:	464



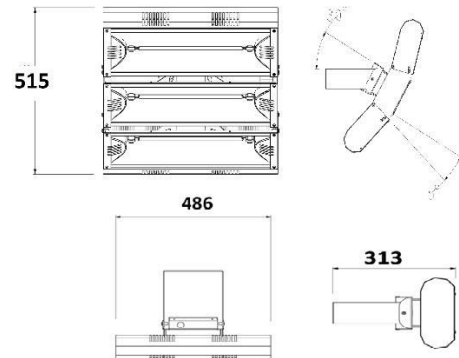
Rated Voltage: 380/415V – 50/60Hz
 Power: 6000W
 Color: Aluminium
 Materials (Structure Materials): Aluminum
 Standard equipment supplied: Wall Bracket
 Range of action: 16-20m

Lamp / Heating Element life:
 Radiating Element Material:
 Cable [type]:
 Water Protection - IP RATE:
 Insulation class:

5000 h
 Gold coated quartz w/Tungsten Filament
 H05RN-F 3x1mm²
 IP55
 I
IMQ / CE - CB dated 21/10/2020 @ 380-415V/50-60Hz

Heating Element: Infra-Red Lamp
 Luminous spectrum: IR-A (for an instant and effective wellness)
 IR Lamp: 3x2000W Gold coated quartz w/Tungsten Filament
 Made and Delivered: Italy
 HTS Customs Code: 8516299900
 EAN Code: 8010114793028

Standards & Certificates:



EXW / Ex Works
 European
 Facilities/Warehouse
 MINIMUM ORDER
 QUANTITY:
 To Be Defined

