

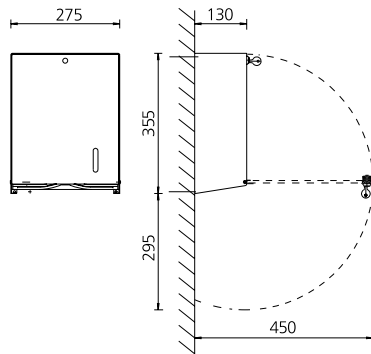
HS 31 EE

High-quality paper towel dispenser for hand drying
Art.-No. 297100



OPHARDT HYGIENE-TECHNIK GmbH + Co. KG
Lindenau 27 | 47611 Issum | Germany
Tel.: +49 (0) 28 35 18-10 | Fax +49 (0) 28 35 18-77
planer@ophardt.com | www.ophardt.com

HS 31



Maße in mm - Dimensions in mm



References

hospitals, clinics, retirement/care homes, dental practices, fitness and sports centres, restaurants, commercial kitchen, industry, laboratories, food processing areas, rehabilitation facilities, rescue stations

Usage examples

washrooms, Intensive care units, nursing and examination rooms, clean room, kitchens, toilets

Technical data

Housing:	Stainless steel, brushed
Filling volume (sheet):	approx. 750 sheets
Paper type:	C-fold, Layerfold, ZZ-Fold, V-Fold, Zick-Zack
Lock:	ingo-man vandalism-proof lock made of plastic
Mounting:	Wall mounting with 4 screws and wall plugs
Cleaning:	manual wipe disinfection
Warranty:	5 years
Dimensions (W x H x D) in mm:	275x355x130
Notice:	Before using new products, please always check the compatibility of the product and the dispensing system to ensure proper functionality.