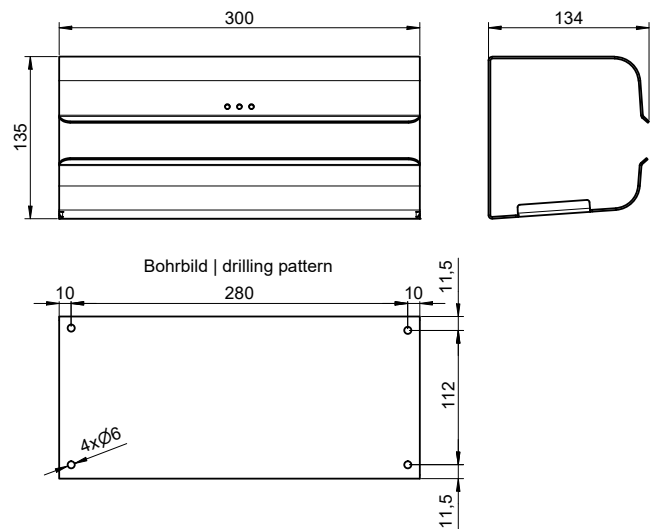


Triple toilet paper and spare roll holder DP-383



Triple toilet paper and spare roll holder landscape format, black

Triple toilet paper and spare roll holder landscape format for wall mounting. Stainless steel, black powder coated in RAL 9005 jet black with fine structure. 1.5mm material thickness. Perforated design area with 4mm drillings. For 3 standard toilet paper rolls with maximum diameter of 125mm. Including stainless steel screws and plugs.