

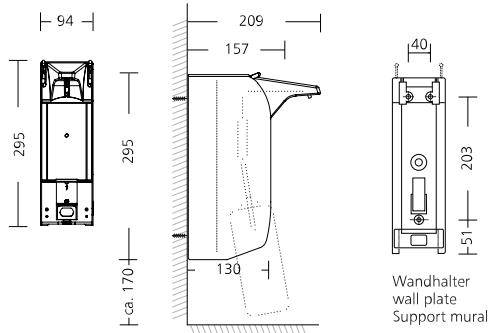
# IMP T E DHP Touchless XT Mains Operated

Touchless Euro dispenser with pump front removal for soaps and disinfectants  
Art.-No. 4402163



OPHARDT HYGIENE-TECHNIK GmbH + Co. KG  
Lindenau 27 | 47611 Issum | Germany  
Tel.: +49 (0) 28 35 18-10 | Fax +49 (0) 28 35 18-77  
planer@ophardt.com | www.ophardt.com

## IMP Touchless XT



## References

hospitals, clinics, retirement/care homes, dental practices, fitness and sports centres, restaurants, commercial kitchen, industry, conference centres, laboratories, food processing areas, rehabilitation facilities, rescue stations, administration facilities

## Usage examples

Passage area, entrance area, Intensive care units, dialysis stations, surgery areas, nursing and examination rooms, clean room, therapy rooms

## Technical data

|                               |   |
|-------------------------------|---|
| Dispenser type:               | Euro bottle dispenser   |
| Housing:                      | Stainless steel, brushed  |
| Face shield:                  | Plastic, white  |
| Filling volume (ml):          | 1000 ml   |
| Dosing pump:                  | recyclable DHP disposable plastic pump  |
| Dosage quantity:              | 1.5 ml/stroke   |
| Filling good:                 | Disinfectant, Liquid soaps  |
| Operating type:               | Touchless, Touchless, with extendable emergency lever   |
| Power type:                   | Mains operated  |
| Batteries:                    | 5x Alkaline D batteries, 1.5 V, exchangeable, non-rechargeable  |
| Recommended Batteries:        | DURACELL ULTRA POWER D, VARTA 4020 (INDUSTRIAL), VARTA 4120, VARTA 4720   |
| Wall bracket:                 | Standard ingo-man® plastic wall plate   |
| Mounting:                     | Wall mounting with 3 screws and wall plugs  |
| Cleaning:                     | manual wipe disinfection  |
| Warranty:                     | 5 years   |
| Dimensions (W x H x D) in mm: | 94x295x209  |
| Hinweis:                      | Before using new products, please always check the compatibility of the product and the dispensing system to ensure proper functionality. |

## Compatible accessories

|  |                  |
|--|------------------|
| SH 5 IMP Touchless<br>Prevents disinfectant from dripping off hands and onto the floor | Art.-No. 1418684 |
| SH 4 IMP Touchless<br>Prevents disinfectant from dripping off hands and onto the floor | Art.-No. 1416600 |

Please see other accessories in our Online Product Catalogue.