

IMP E P DHP Touchless XT hi-vis red

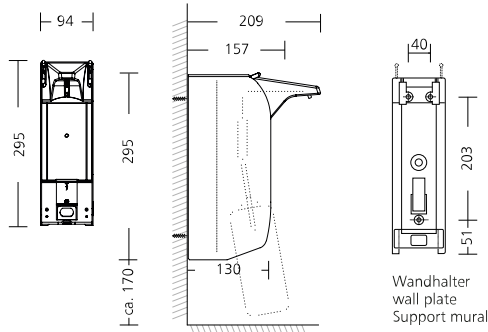
Touchless Euro dispenser with pump front removal for soaps and disinfectants

Art.-No. 4402170



OPHARDT HYGIENE-TECHNIK GmbH + Co. KG
Lindenau 27 | 47611 Issum | Germany
Tel.: +49 (0) 28 35 18-10 | Fax +49 (0) 28 35 18-77
planer@ophardt.com | www.ophardt.com

IMP Touchless XT



References

hospitals, clinics, retirement/care homes, dental practices, fitness and sports centres, restaurants, commercial kitchen, industry, conference centres, laboratories, food processing areas, rehabilitation facilities, rescue stations, administration facilities

Usage examples

Passage area, entrance area, Intensive care units, dialysis stations, surgery areas, nursing and examination rooms, clean room, therapy rooms

Technical data

Dispenser type:	Euro bottle dispenser
Housing:	Aluminium, hi-vis red powder-coated (RAL 3024)
Face shield:	Plastic, white
Filling volume (ml):	500 ml
Dosing pump:	recyclable DHP disposable plastic pump
Dosage quantity:	1.5 ml/stroke
Filling good:	Disinfectant, Liquid soaps
Operating type:	Touchless, Touchless, with extendable emergency lever
Power type:	Battery
Batteries:	5x Alkaline D batteries, 1.5 V, exchangeable, non-rechargeable
Recommended Batteries:	DURACELL ULTRA POWER D, VARTA 4020 (INDUSTRIAL), VARTA 4120, VARTA 4720
Wall bracket:	Standard ingo-man® plastic wall plate
Mounting:	Wall mounting with 3 screws and wall plugs
Cleaning:	manual wipe disinfection
Warranty:	5 years
Dimensions (W x H x D) in mm:	94x295x209
Hinweis:	Before using new products, please always check the compatibility of the product and the dispensing system to ensure proper functionality.

Compatible accessories

SH 4 IMP Touchless Prevents disinfectant from dripping off hands and onto the floor	Art.-No. 1416600
SH 5 IMP Touchless Prevents disinfectant from dripping off hands and onto the floor	Art.-No. 1418684

Please see other accessories in our Online Product Catalogue.