

# SRU 2 P IW

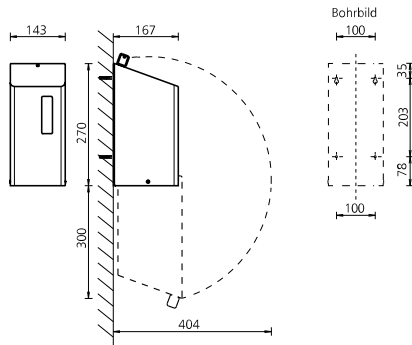
Manual toilet paper dispenser made of stainless steel

Art.-No. 3400931



**OPHARDT HYGIENE-TECHNIK GmbH + Co. KG**  
Lindenau 27 | 47611 Issum | Germany  
Tel.: +49 (0) 28 35 18-10 | Fax +49 (0) 28 35 18-77  
planer@ophardt.com | www.ophardt.com

## SRU 2



Maße in mm - Dimensions in mm



## References

airports, train stations, schools, kindergardens, hotels, restaurants, commercial kitchen, food processing areas, prisons, exhibitions, conference centres, shopping centres, fitness and sports centres, industry, laboratories, administration facilities

## Usage examples

toilets

## Technical data

Housing:	Stainless steel, white powder-coated (RAL 9010)
Filling volume (Toilet paper):	2 compact paper rolls (max. roll diameter 140 mm)
with/without viewing window:	Clear
Mounting:	Wall mounting with 4 screws and wall plugs
Cleaning:	manual wipe disinfection
Warranty:	5 years
Net weight:	1.6 kg
Dimensions (W x H x D) in mm:	143x270x167
Notice:	Before using new products, please always check the compatibility of the product and the dispensing system to ensure proper functionality.