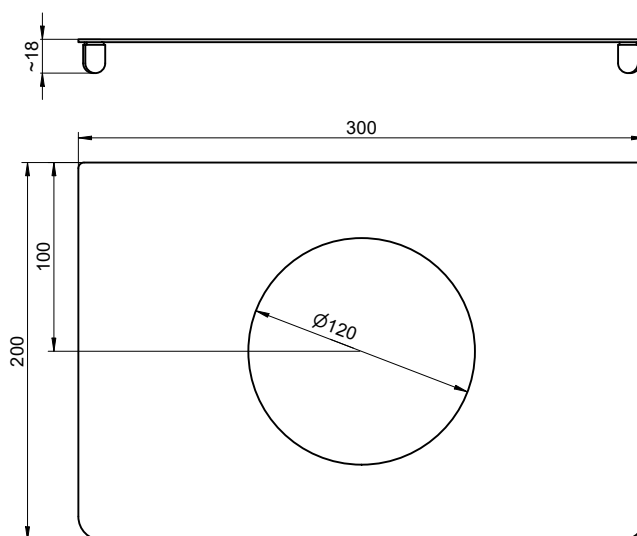
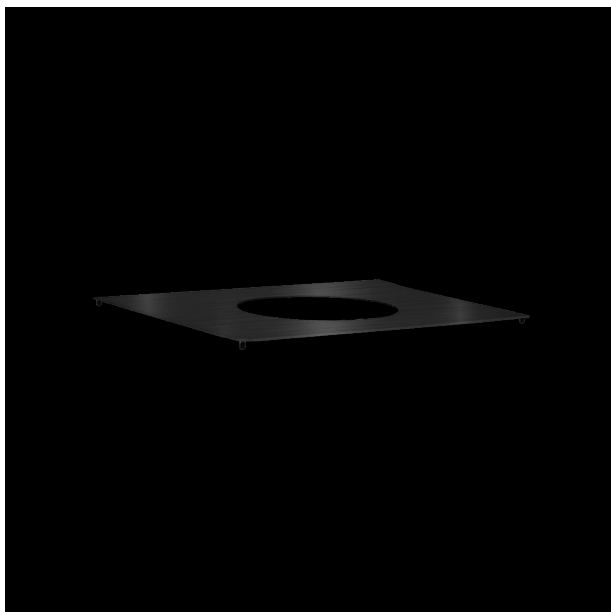


## Lid AN-201



### Lid for waste bin PU-201, anthracite

Lid for waste bin PU-201. Stainless steel with PVD coating in anthracite.