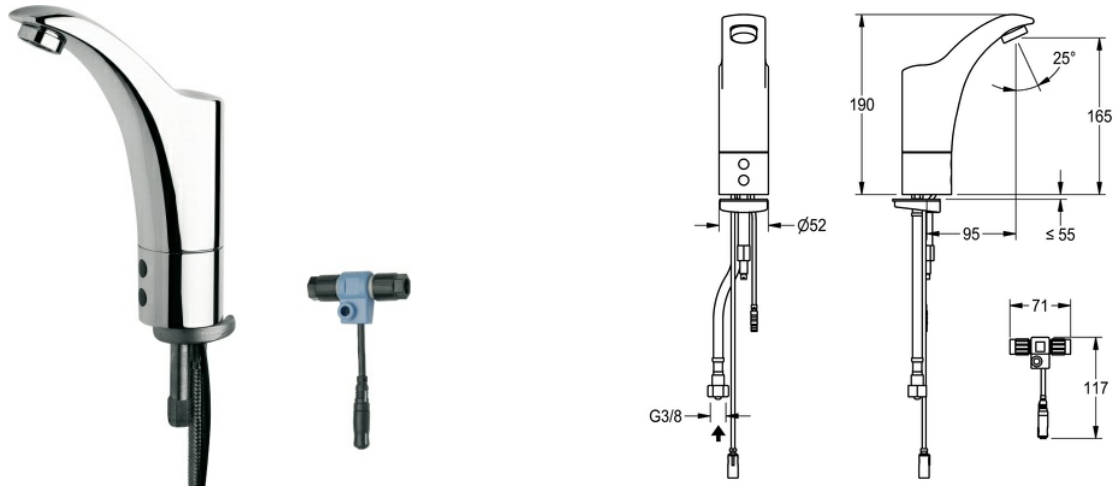


BASIN TAP

AQUA103 | 2000101162

ARTICLE GROUP (AG) : **AQUA103** | ARTICLE FAMILY (AF) : **Electronic taps** | PRODUCT GROUP (PG) : **Taps** | MODEL RANGE : **AQUA**



PROTRONIC - A3000 open non-touch, opto-electronically controlled washbasin fitting DN 15, for connection to pre-mixed warm water or cold water, in compact design with control electronics, solenoid valve cartridge and sensor integrated in a rugged, two-part full-metal housing, polished chromium-plated brass, with theft-proof aerator with integrated flow regulator, with connecting hoses, dirt strainer and waterproof electric T-junction for connecting to system cable. With facility to externally controlling the options such as fitting settings and communication via ECC function controller. 24 V DC.

TECHNICAL DATA

Calculation Flow Rate Cold Water	0.10 liter per seconds
Default Automatic Hygiene Flushing	24H-AFTER-ACTIVITY
Default Flow Time	10 s
Depressurised	NO
Functional Principle	ELECTRONIX-C
Gross Weight	2.30 kg
Diameter Nominal	DN-15-1-2INH
Material Fitting	BRASS
Minimum Flow Pressure	1.00 bar
Type Of Mixing	NO
Net Weight	2.00 kg
Power Supply Connection	A3000-OPEN-24-V-DC
Position Of Power Connection	BOTTOM
Power Consumption	2.5
Protective System Ip	68
Protective Shutdown	YES
Sound Insulation	NO
Spout Projection	95.00 mm
Surface Finish Fitting	CHROMISED
Surface Material	CHROME
Thermal Disinfection	YES
Type Of Fitting	PILLAR-TAP



Type Of Mounting	MOUNTED-ON-PRODUCT
Type Of Operation	SENSOR-OPERATION
Type Of Sensor	OPTO-ELEC-SENSOR
Type Of Tap	PILLAR-TAB
Volume Flow Rate At 3 Bar	0.10 liter per seconds

BASIN TAP

AQUA103 | 2000101162

ARTICLE GROUP (AG) : **AQUA103** | ARTICLE FAMILY (AF) : **Electronic taps** | PRODUCT GROUP (PG) : **Taps** | MODEL RANGE : **AQUA**

MANDATORY ACCESSORY



CABLE

2000100801



CABLE

2000100852



**ECC2 FUNCTION
CONTROLLER**

2000108123
