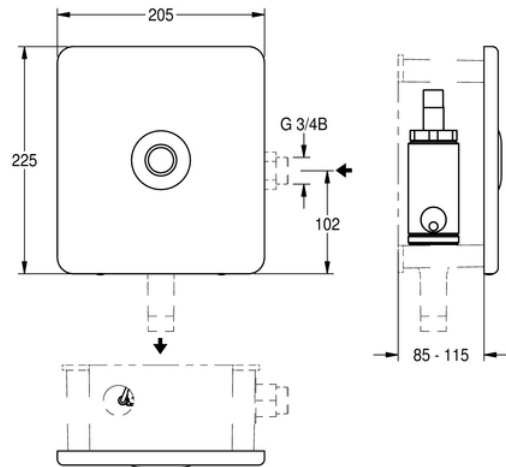


WC FLUSH FITTING

AQUA501 | 2000101095

ARTICLE GROUP (AG) : **AQUA501** | ARTICLE FAMILY (AF) : **Electronic wc flushing systems** | PRODUCT GROUP (PG) : **Flushing systems** | MODEL RANGE : **AQUA**



AQUATIMER - A3000 open timer-controlled DN 20 WC flush fitting for in-wall mounting. With facility for externally controlling options such as fittings settings and communication via ECC function controller.

Finished installation kit with waterproof electronic module with additional input for sensors to be provided by the client no more than 5 m away, magnetic pressure flushing device DN 20, noise group I, mounting bracket with profile seal, stainless steel cover plate with sensor and concealed screw fastening. 24 V DC

TECHNICAL DATA

Calculation Flow Rate Cold Water	1.00 liter per seconds
Default Automatic Hygiene Flushing	24H-AFTER-ACTIVITY
Functional Principle	ELECTRONIX-C
Gross Weight	2.10 kg
Diameter Nominal	DN-20-3-4INH
Material Casing	STAINLESS-STEEL
Material Code Casing	1.4301
Material Fitting	BRASS
Maximum Flow Pressure	4.00 bar
Maximum Flushing Flow	1.30 liter per seconds
Maximum Flush Water Volume	9.00 l
Minimum Flow Pressure	1.20 bar
Minimum Flushing Flow	1.00 liter per seconds
Minimum Flush Water Volume	6.00 l
Net Weight	2.00 kg
Power Supply Connection	A3000-OPEN-24-V-DC
Power Consumption	3.5
Protective System Ip	68
Sound Insulation	1
Surface Finish Casing	SATIN-FINISHED
Surface Finish Fitting	RAW
Type Of Fitting	BUILT-IN-W-BOX



Type Of Flushing Fitting	WC
Type Of Mounting	IN-WALL-INSTALLATION-W-BOX
Type Of Operation	SENSOR-OPERATION
Type Of Sensor	PIEZO-ELEC-SENSOR

WC FLUSH FITTING

AQUA501 | 2000101095

ARTICLE GROUP (AG) : **AQUA501** | ARTICLE FAMILY (AF) : **Electronic wc flushing systems** | PRODUCT GROUP (PG) : **Flushing systems** | MODEL RANGE : **AQUA**

MANDATORY ACCESSORY



INSTALLATION ELEMENT

2030020525



INSTALLATION ELEMENT

2000067428



CABLE

2000100801



WC FLUSH FITTING

2000101094



**ECC2 FUNCTION
CONTROLLER**

2000108123
