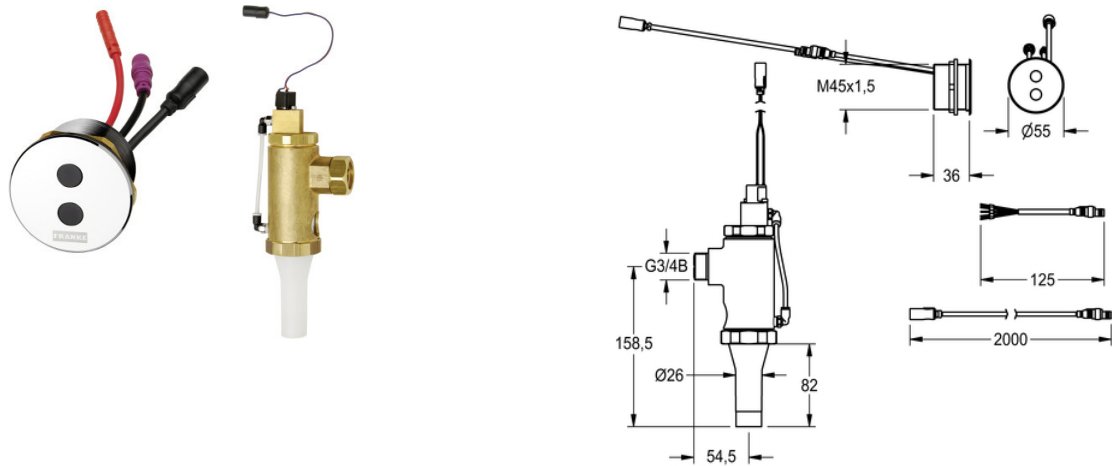


WC FLUSH FITTING

AQUA505 | 2000101180

ARTICLE GROUP (AG) : **AQUA505** | ARTICLE FAMILY (AF) : **Electronic wc flushing systems** | PRODUCT GROUP (PG) : **Flushing systems** | MODEL RANGE : **AQUA**



PROTRONIC - A3000 open non-touch, opto-electronically controlled WC flushing valve DN 20 with combined controller and solenoid valve, for concealed mounting. 24 V DC.

TECHNICAL DATA

Calculation Flow Rate Cold Water	1.00 liter per seconds
Default Automatic Hygiene Flushing	24H-AFTER-ACTIVITY
Functional Principle	ELECTRONIX-C
Gross Weight	1.40 kg
Diameter Nominal	DN-20-3-4INH
Material Casing	BRASS
Material Fitting	BRASS
Maximum Flow Pressure	4.00 bar
Maximum Flushing Flow	1.30 liter per seconds
Maximum Flush Water Volume	9.00 l
Minimum Flow Pressure	1.20 bar
Minimum Flushing Flow	1.00 liter per seconds
Minimum Flush Water Volume	6.00 l
Net Weight	1.33 kg
Power Supply Connection	A3000-OPEN-24-V-DC
Power Consumption	3.5
Protective System Ip	68
Protective Shutdown	YES
Sound Insulation	NO
Surface Finish Casing	CHROMISED
Surface Finish Fitting	RAW
Surface Material	CHROME
Type Of Fitting	BACK-WALL-INSTALL
Type Of Flushing Fitting	WC

Type Of Mounting	CONCEALED
Type Of Operation	SENSOR-OPERATION
Type Of Sensor	OPTO-ELEC-SENSOR

WC FLUSH FITTING

AQUA505 | 2000101180

ARTICLE GROUP (AG) : **AQUA505** | ARTICLE FAMILY (AF) : **Electronic wc flushing systems** | PRODUCT GROUP (PG) : **Flushing systems** | MODEL RANGE : **AQUA**

ACCESSORIES



COVER PLATE

2000101054

MANDATORY ACCESSORY



POWER SUPPLY

2000100375



POWER SUPPLY

2000102691
