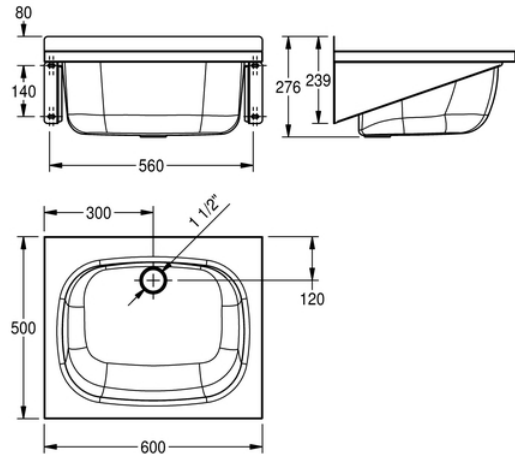


UTILITY SINK

BS330 | 2000090081

ARTICLE GROUP (AG) : **BS330** | ARTICLE FAMILY (AF) : **Multi purpose sink** | PRODUCT GROUP (PG) : **Utility sinks** |
MODEL RANGE : **SIRIUS**



General purpose sink for wall mounting, stainless steel, surface satin finished, material thickness 1 mm, seamless welded bowl with dimensions 500x380x230 mm, rounded edges, 40 mm rear upstand, 1 1/2" plug waste with plastic overflow pipe, drainage back centric, prewelded mounting brackets, incl. stainless steel screws and dowels.

TECHNICAL DATA

Bowl Position	CENTER
Bowl Construction	RADIUS-CORNER
Bowl - Bowl Depth	230.00 mm
Bowl Finish	SATIN-FINISHED
Bowl - Depth	380.00 mm
Bowl - Width	500.00 mm
Drainer Or Storage	NO
Grid	NO
Gross Weight	9.30 kg
Material	STAINLESS-STEEL
Material Code	1.4301
Material Thickness	1.00 mm
Net Weight	7.58 kg
Number Of Waste Holes	1
Outlet Size	G-1-1-2-B
Overall Depth	500.00 mm
Overall Height	276.00 mm
Overall Width	600.00 mm
Overflow	STAND-PIPE-OVERFLOW
Rear Upstand	YES
Wash Riffle	NO
Splash Back	NO
Sump	NO
Sump Basket	NO



Surface Finish	SATIN-FINISHED
Tap Ledge	YES
Type Of Mounting	WALL-MOUNTING
Type Of Utility Sink	MULTI-PURPOSE-SINK
Type Of Waste Kit	STANDPIPE-STRAINER
Waste Hole Position	CENTER-BACK
Waste Hole Projection	120.00 mm
Waste Kit Included	YES
Waste Size	DN-40-1-1-2INH
Splash Back Height	40.00 mm
Brushes	WITHOUT BRUSHES
Spillway	NO
Number Of Wash Places	1