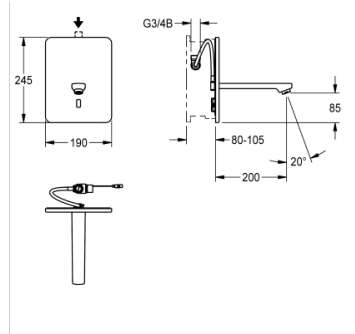


# F3EV1011 | 2030040078

PRODUCT GROUP (PG) : Taps | ARTICLE FAMILY (AF) : Electronic tap | ARTICLE GROUP (AG) : F3EV1010 ++ |  
MODEL RANGE : F3 | LIFECYCLE : New



## TECHNICAL DATA

gross weight	2.30 kg
net weight	2.18 kg
functional principle	ELECTRONIX-C
type of mixing	No
power supply connection	BATTERY-6-V
type of mounting	in-wall installation with box
type of tap	in-wall tap
calculation flow rate cold water	0.10 liter per second
default automatic hygiene flushing	24H-AFTER-ACTIVITY
depressurised	no
diameter nominal	DN 15
material casing	stainless steel
material fitting	brass
minimum flow pressure	1.00 bar
position of power connection	from top
power consumption	1,5
protective shutdown	YES
sound insulation	no
spout projection	200.00 mm
surface finish casing	satin finished
surface finish fitting	chromed
thermal disinfection	automatic thermal disinfection installed
type of operation	SENSOR-OPERATION
type of sensor	OPTO-ELEC-SENSOR
volume flow rate at 3 bar	0.10 liter per second

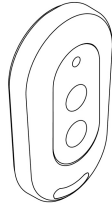
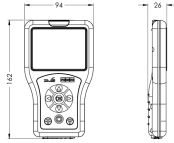
F3EV1011 | 2030040078

PRODUCT GROUP (PG) : **Taps** | ARTICLE FAMILY (AF) : **Electronic tap** | ARTICLE GROUP (AG) : **F3EV1010 ++** |  
MODEL RANGE : **F3** | LIFECYCLE : **New**

---

## ACCESSORIES

---



---

### REMOTE CONTROL

2030036654

---

---

### REMOTE CONTROL

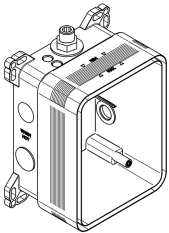
2030036849

---

---

## MANDATORY ACCESSORY

---



---

### BASIC INSTALLATION KIT

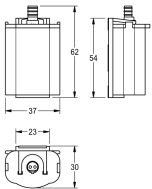
2030036142

---

---

## SPARE PARTS

---



---

### BATTERY COMPARTMENT

2000109466

---