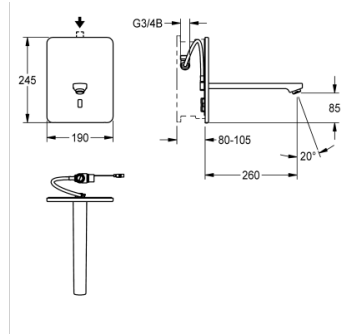


# F3EV1021 | 2030040105

PRODUCT GROUP (PG) : Taps | ARTICLE FAMILY (AF) : Electronic tap | ARTICLE GROUP (AG) : F3EV1010 ++ |  
MODEL RANGE : F3 | LIFECYCLE : New



## TECHNICAL DATA

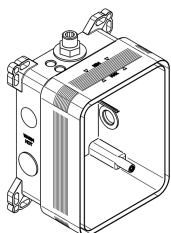
gross weight	1.88 kg
net weight	1.79 kg
functional principle	ELECTRONIX-C
type of mixing	No
power supply connection	6-12-VDC
type of mounting	in-wall installation with box
type of tap	in-wall tap
calculation flow rate cold water	0.10 liter per second
default automatic hygiene flushing	24H-AFTER-ACTIVITY
depressurised	no
diameter nominal	DN 15
material casing	stainless steel
material fitting	brass
minimum flow pressure	1.00 bar
position of power connection	from top
power consumption	1,5
protective shutdown	YES
sound insulation	no
spout projection	260.00 mm
surface finish casing	satın finished
surface finish fitting	chromed
thermal disinfection	prepared for automatic thermal disinfection
type of operation	SENSOR-OPERATION
type of sensor	OPTO-ELEC-SENSOR
volume flow rate at 3 bar	0.05 liter per second

PRODUCT GROUP (PG) : **Taps** | ARTICLE FAMILY (AF) : **Electronic tap** | ARTICLE GROUP (AG) : **F3EV1010 ++** |  
MODEL RANGE : **F3** | LIFECYCLE : **New**

---

**MANDATORY ACCESSORY**

---



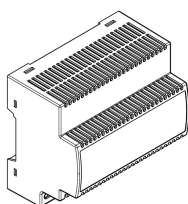
---

**BASIC INSTALLATION KIT**

---

2030036142

---



---

**POWER SUPPLY**

---

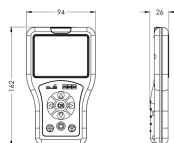
2030039477

---

---

**ACCESSORIES**

---



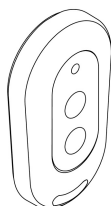
---

**REMOTE CONTROL**

---

2030036654

---



---

**REMOTE CONTROL**

---

2030036849

---