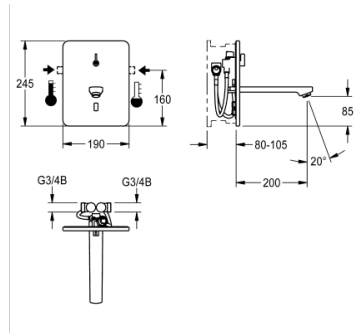


F3EM1020 | 2030040128

PRODUCT GROUP (PG) : Taps | ARTICLE FAMILY (AF) : Electronic tap | ARTICLE GROUP (AG) : F3EM1010 ++ |
MODEL RANGE : F3 | LIFECYCLE : New



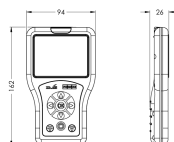
TECHNICAL DATA

gross weight	4.90 kg
net weight	4.65 kg
functional principle	ELECTRONIX-C
type of mixing	Yes
power supply connection	6-12-VDC
type of mounting	in-wall installation with box
type of tap	in-wall tap
calculation flow rate cold water	0.07 liter per second
calculation flow rate hot water	0.07 liter per second
default automatic hygiene flushing	24H-AFTER-ACTIVITY
depressurised	no
diameter nominal	DN 15
material casing	stainless steel
material fitting	brass
minimum flow pressure	1.00 bar
position of power connection	from backside
power consumption	1,5
protective shutdown	YES
sound insulation	no
spout projection	200.00 mm
surface finish casing	satin finished
surface finish fitting	chromed
thermal disinfection	no
type of operation	SENSOR-OPERATION
type of sensor	OPTO-ELEC-SENSOR
volume flow rate at 3 bar	0.05 liter per second
inlet size	G3-8
hygiene flushing	yes

F3EM1020 | 2030040128

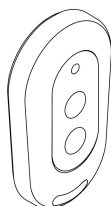
PRODUCT GROUP (PG) : **Taps** | ARTICLE FAMILY (AF) : **Electronic tap** | ARTICLE GROUP (AG) : **F3EM1010 ++** |
MODEL RANGE : **F3** | LIFECYCLE : **New**

ACCESSORIES



REMOTE CONTROL

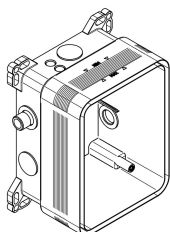
2030036654



REMOTE CONTROL

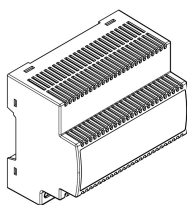
2030036849

MANDATORY ACCESSORY



BASIC INSTALLATION KIT

2030040479



POWER SUPPLY

2030039477



EXTENSION CABLE

2030010982
