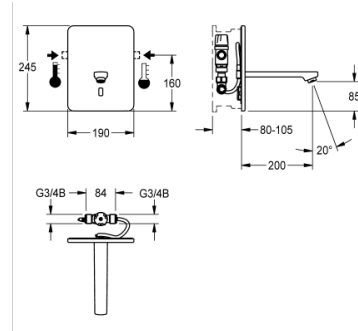


# F3ET1005 | 2030040193

PRODUCT GROUP (PG) : Taps | ARTICLE FAMILY (AF) : Electronic tap | ARTICLE GROUP (AG) : F3ET1004 ++ |  
MODEL RANGE : F3 | LIFECYCLE : New



## TECHNICAL DATA

|                                    |                               |
|------------------------------------|-------------------------------|
| gross weight                       | 2.72 kg                       |
| net weight                         | 2.58 kg                       |
| functional principle               | ELECTRONIX-C                  |
| type of mixing                     | CONCEALED-THERM               |
| power supply connection            | BATTERY-6-V                   |
| type of mounting                   | in-wall installation with box |
| type of tap                        | in-wall tap                   |
| calculation flow rate cold water   | 0.07 liter per second         |
| calculation flow rate hot water    | 0.07 liter per second         |
| default automatic hygiene flushing | 24H-AFTER-ACTIVITY            |
| depressurised                      | no                            |
| diameter nominal                   | DN 15                         |
| material casing                    | stainless steel               |
| material fitting                   | brass                         |
| minimum flow pressure              | 1.00 bar                      |
| power consumption                  | 1,5                           |
| protective shutdown                | YES                           |
| spout projection                   | 200.00 mm                     |
| thermal disinfection               | no                            |
| type of operation                  | SENSOR-OPERATION              |
| type of sensor                     | OPTO-ELEC-SENSOR              |
| volume flow rate at 3 bar          | 0.10 liter per second         |
| inlet size                         | G 3/4 B                       |
| sound insulation                   | no                            |
| surface finish casing              | satin finished                |
| surface finish fitting             | chromed                       |
| hygiene flushing                   | yes                           |

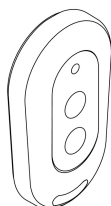
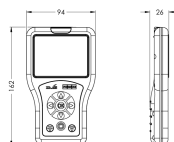
F3ET1005 | 2030040193

PRODUCT GROUP (PG) : **Taps** | ARTICLE FAMILY (AF) : **Electronic tap** | ARTICLE GROUP (AG) : **F3ET1004 ++** |  
MODEL RANGE : **F3** | LIFECYCLE : **New**

---

## ACCESSORIES

---



---

### REMOTE CONTROL

2030036654

---

---

### REMOTE CONTROL

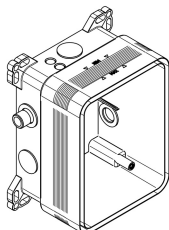
2030036849

---

---

## MANDATORY ACCESSORY

---



---

### BASIC INSTALLATION KIT

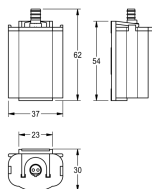
2030040479

---

---

## SPARE PARTS

---



---

### BATTERY COMPARTMENT

2000109466

---