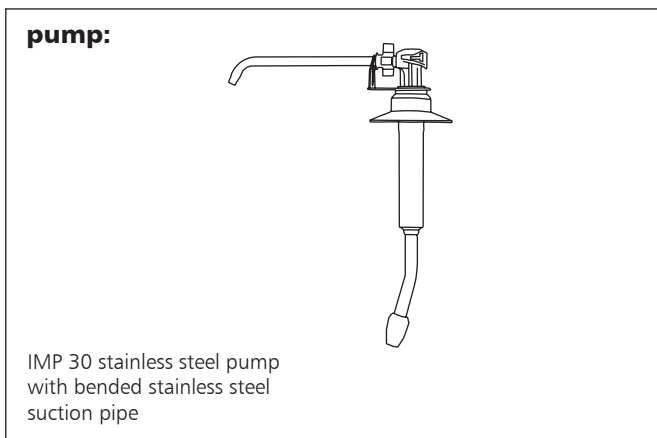
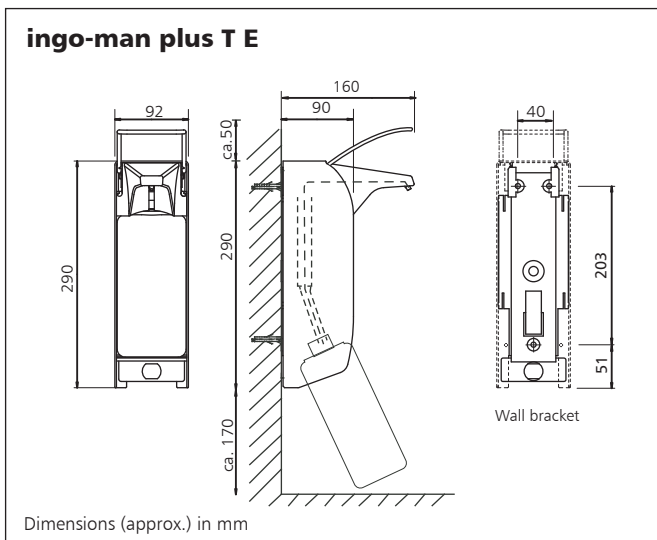
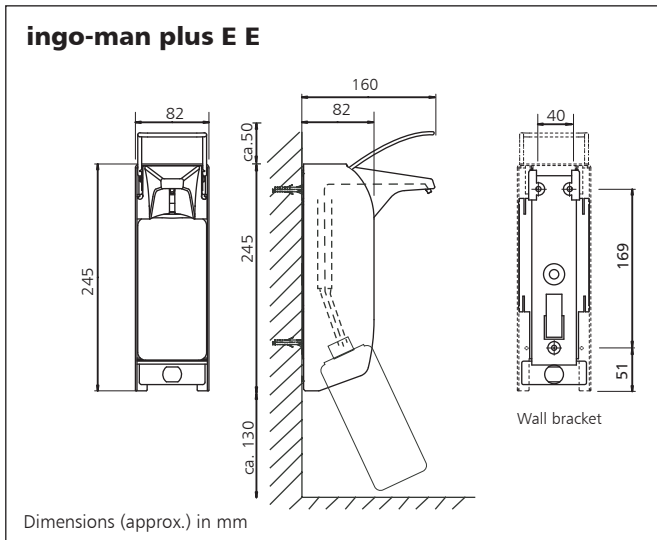


ingo-man® plus IMP E E • IMP T E
 dispenser for soap and disinfectant • stainless steel
 with exchangeable pump for front removal • autoclavable
 short operating lever • for disposable bottles, refillable



Dispenser for soap and disinfectant

- ▶ dispenses liquid soaps without abrasive agents, alcoholic-based disinfectants, lotions, massage oils etc.
- ▶ ideal for hospital and medical domains
- ▶ for disposable 500 ml or 1000 ml bottles
- ▶ with exchangeable pump
- ▶ can rapidly be replaced and processed by easy front removal
- ▶ stainless steel pump cylinder with anti-corrosions coating

Technical Data

- Housing: Stainless steel, ground
 Dosing pump: IMP 30 pump stainless steel, bended stainless steel suction pipe, autoclavable, stainless steel pump cylinder
 Dosing: Dosage adjustable at approx. 0,7ml/1,0ml/1,2 ml/1,5 ml (in dependence on Viskosity of the product)
 Operating lever: Stainless steel
 Wall bracket: Standard ingo-man plastic wall bracket
 Wall mounting: with three plugs and screws
 Cleaning: dispenser and pump dishwasher-proof and autoclavable at 134° C, 3 bar

Description for tender

..... pcs. **ingo-man plus IMP E E/30 Art-No. 1417023**
 dispenser for soap and disinfectant, 500 ml, stainless steel, ground, short operating lever, exchangeable IMP 30 stainless steel pump, for cleaning the pump remove it out of the dispenser from the front, autoclavable
 Dimensions: W 82 x H 245 x D 215 mm

..... pcs. **ingo-man plus IMP T E/30 Art-No. 1417024**
 dispenser for soap and disinfectant, 1000 ml, stainless steel, ground, short operating lever, exchangeable IMP 30 stainless steel pump, for cleaning the pump remove it out of the dispenser from the front, autoclavable
 Dimensions: W 92 x H 290 x D 220 mm

Product: **ingo-man® plus**